

ENGINEERING GRAPHICS AND DESIGN

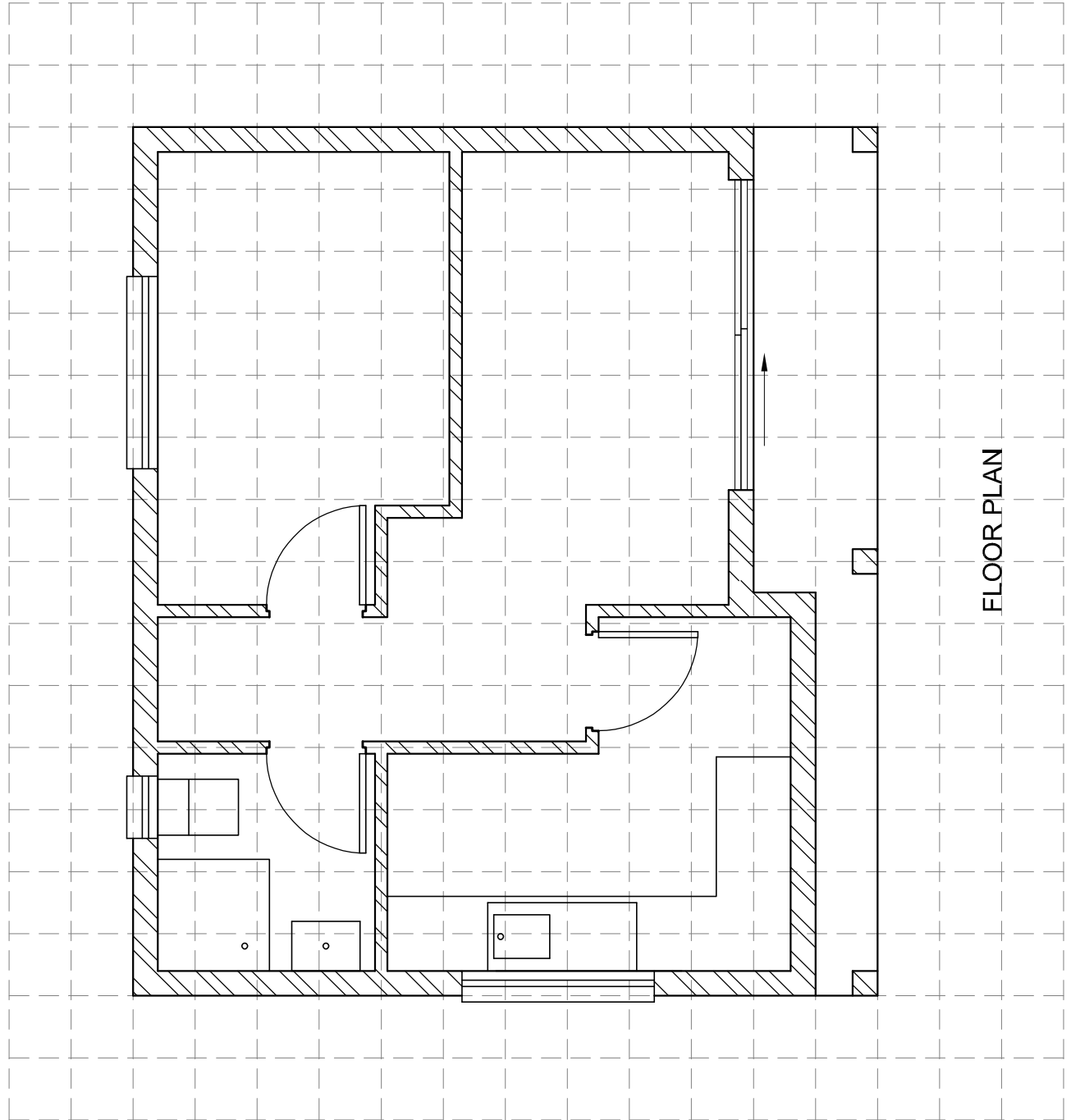
FREEHAND

Given:
FLOOR PLAN

Instruction:

Use the space provided and redraw the floor plan in freehand according to the given size

GRADE 10
FREEHAND



ENGINEERING GRAPHICS AND DESIGN

FREEHAND

Given:

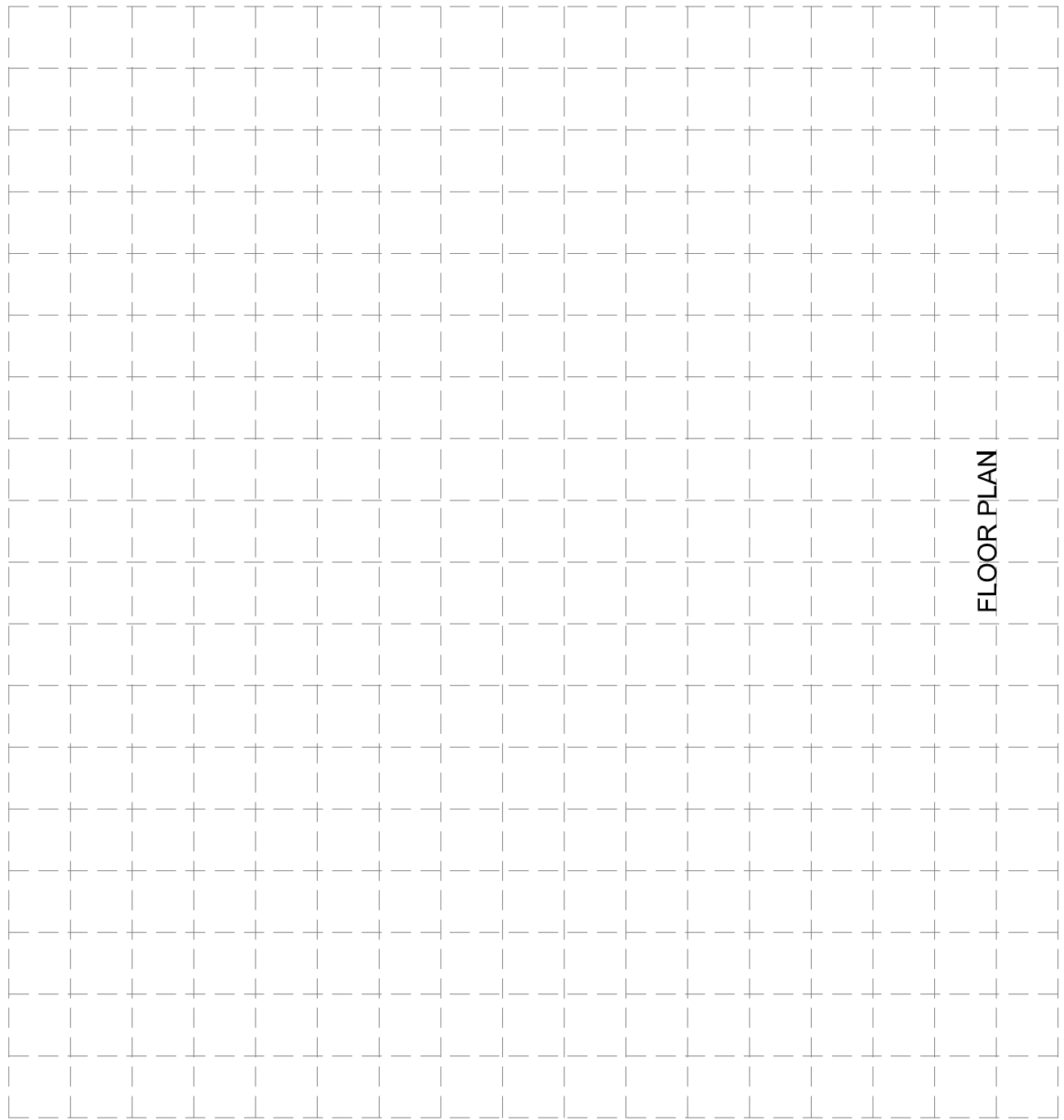
FLOOR PLAN

Instruction:

Use the space provided and redraw the floor plan in freehand according to the given size

GRADE 10
FREEHAND

FLOOR PLAN



ENGINEERING GRAPHICS AND DESIGN

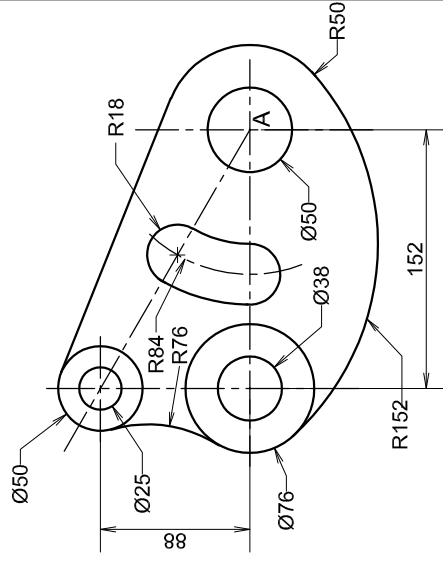
GEOMETRICAL CONSTRUCTION

Given:

- A view of a TENSION PLATE
- The position of point A on the drawing sheet

Instruction:

- Duplicate the given view according to scale 1 : 2.
- Complete the title block.



A

GRADE 10
GEOMETRICAL CONSTRUCTION

ENGINEERING GRAPHICS AND DESIGN

CONSTRUCTION DRAWING

Given:

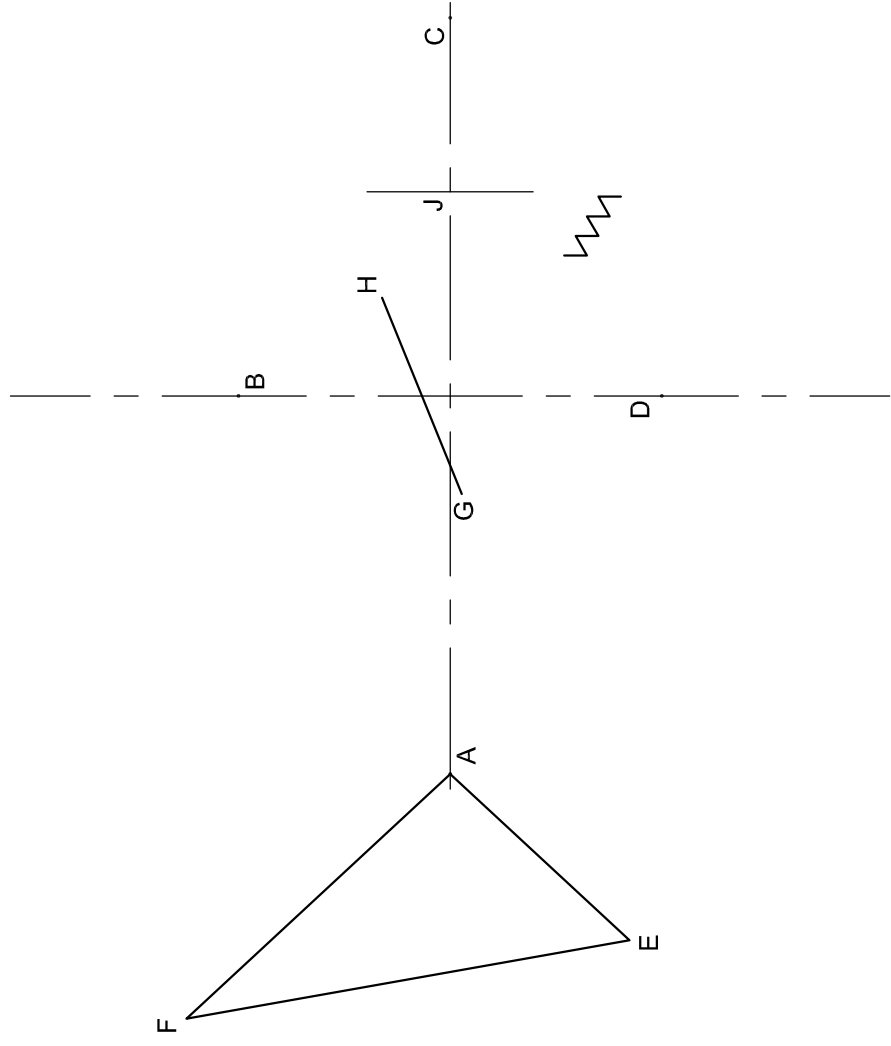
Reference points and lines

Instructions:

- Construct an ellipse through A, B, C and D.
 - Construct an inscribed circle inside triangle AEF.
 - Divide line GH with line division into 5 equal parts.
 - Construct a regular hexagon using J as the centre point and side lengths = 9mm. Two sides has to be horizontal.
- Print the following in pencil between the given guide lines beneath the drawing: "EGD WHALE"

NOTE:

- ALL printing and line work to be done in pencil.
- Show ALL construction.



GRADE 10
ELLIPS

_____	_____
_____	_____
_____	_____